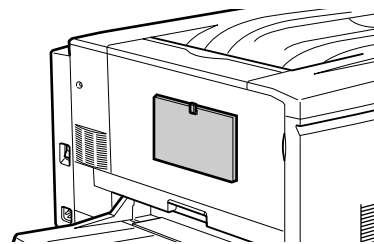


# EPSON

Color Laser Printer



You can hang this guide on the printer using the hook provided.

## **EPSON ColorPage EPL-C8200** *Quick Reference*

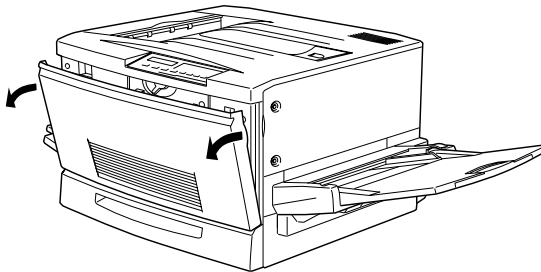
## Replacing Consumable Products

You must replace the following consumable products when a notice message appears on the LCD panel or in the EPSON Status Monitor 3 utility.

Toner Cartridge (Yellow)	S050016
Toner Cartridge (Magenta)	S050017
Toner Cartridge (Cyan)	S050018
Toner Cartridge (Black)	S050019
Waste Toner Collector	S050020
Photoconductor Unit	S051061
Fuser Oil Roll	S052002

### Replacing a toner cartridge

1. Confirm the color of the toner cartridge that needs to be replaced by checking the LCD panel.
2. Open the front cover.

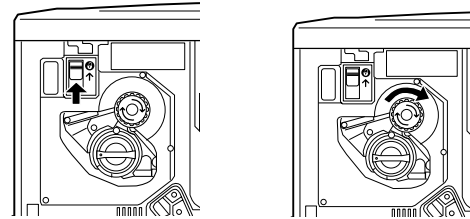


3. See which color currently appears in the cartridge installation window.

If you can see the color that you need to replace, go to step 5.

If you see a different color, go to the next step.

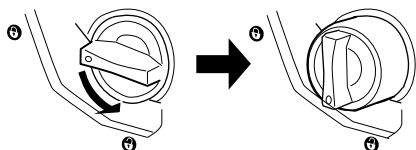
4. There is a switch located at the upper left. Push it up, then release it. Turn the round knob located just above the installation window clockwise until it stops. The switch drops down to the lower position automatically and the next cartridge slot appears in the installation window. Repeat this step until the cartridge that you want to replace appears.



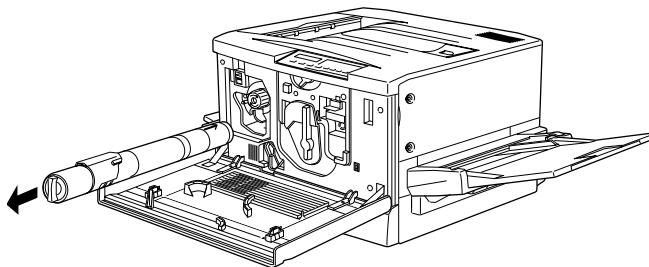
**Note:**

*If the knob cannot be turned, check if the switch is up.  
Do not turn the knob by force.*

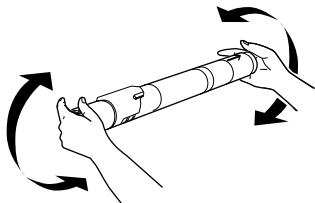
- Turn the cartridge knob counterclockwise 90 degrees so that the ● symbol on the knob is in the position shown below. By turning the knob, the cartridge extends slightly.



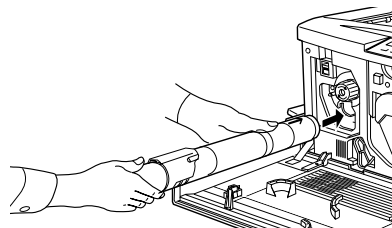
- Pull the cartridge out of the slot.



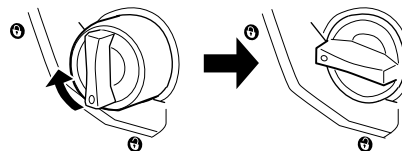
- Take a new cartridge out of its package, and gently shake it back and forth and front to back as shown below to distribute the toner evenly.



- Hold the cartridge with the arrow side facing up. Insert it all the way into the cartridge slot.



- Turn the cartridge knob clockwise 90 degrees so that the ● symbol on the knob is in the position shown below. By turning the knob, the cartridge is inserted and locked into the slot.



**Caution:**

*Be sure to turn the knob all the way to the set position. Otherwise, you may have toner problems or leakage.*

- If you need to replace another cartridge, repeat steps 3 to 9.
- Close the front cover.

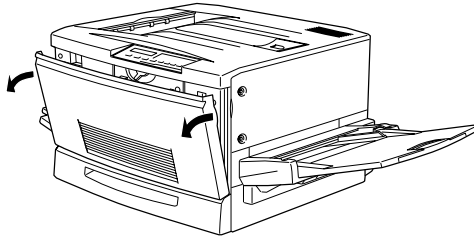
## Replacing the photoconductor unit

1. Turn off the printer.

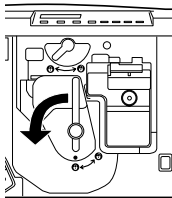
**Note:**

*Before replacing the photoconductor unit, be sure to turn off the printer.*

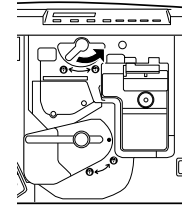
2. Open the front cover.



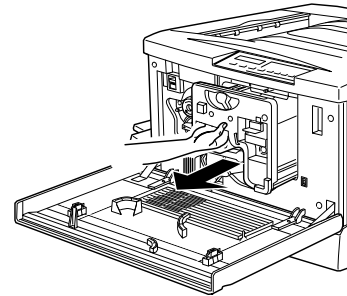
3. Turn the large lever counterclockwise 90 degrees.



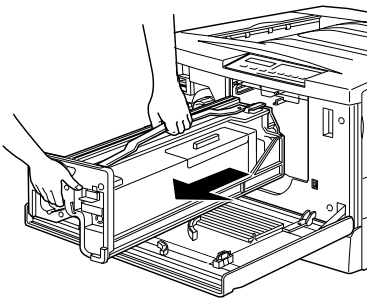
4. Turn the small lever to the right.



5. Pull the photoconductor unit about 30 cm out of the printer.



6. Hold the handle at the top of the photoconductor unit and gently pull it all the way out.

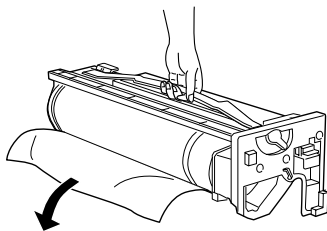


7. Take the new photoconductor unit out of its package and unwrap the protective sheet while holding the handle as shown below.



**Caution:**

- ❑ Be sure not to scratch or touch the surface of the drum.
- ❑ When replacing the photoconductor unit, avoid exposing it to room light any longer than necessary.

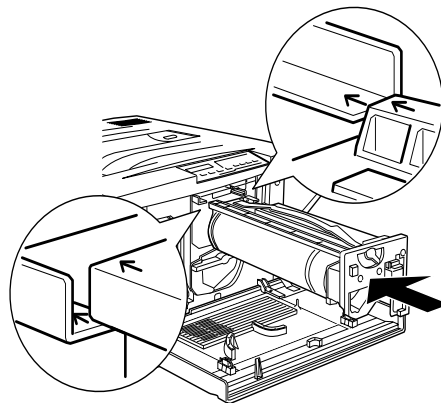


8. Hold the handle on top of the photoconductor unit and place the unit on the guide rails. Insert it all the way into the printer.

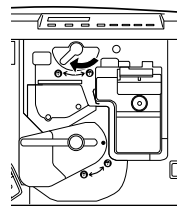


**Caution:**

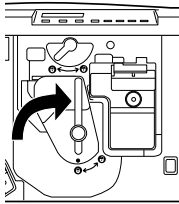
*Be sure not to touch the surface of the drum.*



9. Turn the small lever to the left.



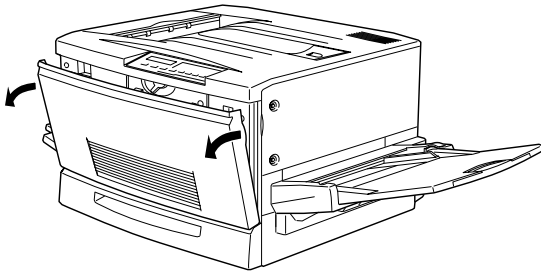
10. Turn the large lever clockwise 90 degrees.



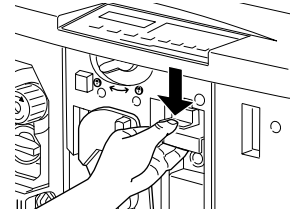
11. Close the front cover.

### ***Replacing the waste toner collector***

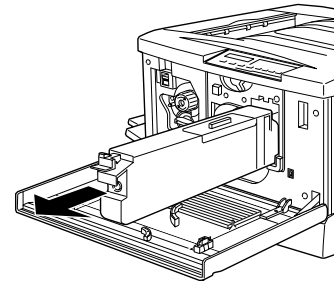
1. Open the front cover.



2. Grasp the handle and tab of the waste toner collector to release the lock.

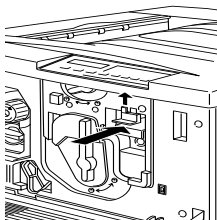


3. Pull out the waste toner collector.



4. Take out a new waste toner collector.

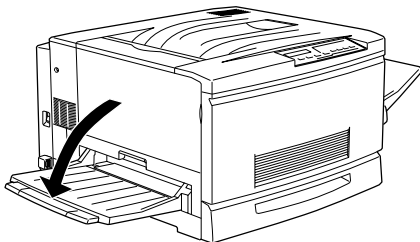
5. Hold the handle of the collector and insert it into the slot all the way until the tab clicks into place.



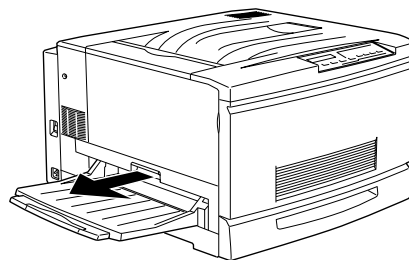
6. Close the front cover.

## Replacing the fuser oil roll

1. Pull down the Face-up Tray.



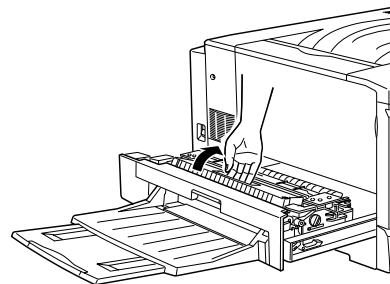
2. Hold the handle of the fuser unit and pull it all the way out.



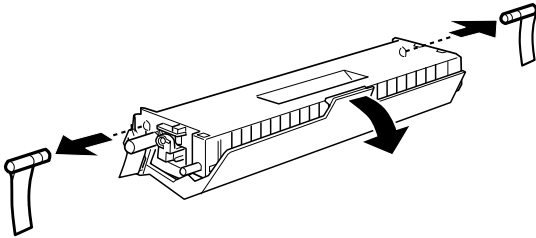
### Warning:

Be careful not to touch the fuser which is marked **CAUTION! HIGH TEMPERATURE**, or the surrounding areas. If the printer has been in use, the fuser and the surrounding areas may be very hot.

3. Hold the handle of the fuser oil roll and pull it all the way out.



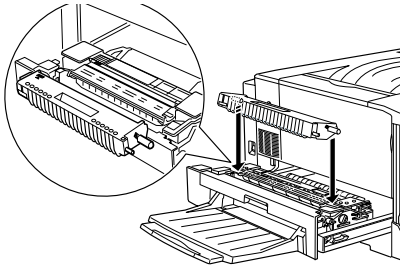
4. Take a new fuser oil roll out of its box, and remove the cover and two shipping pins as shown below:



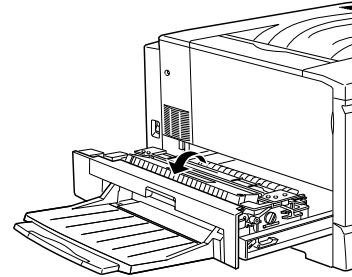
**Note:**

*Do not touch the white roll surface.*

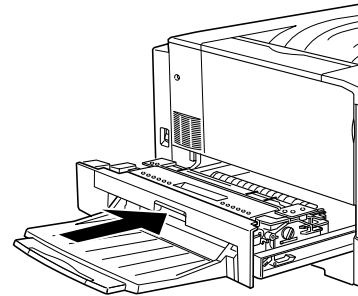
5. Hold the roll handle and insert the fuser oil roll into the fuser unit matching the green marks on the roll and unit.



6. Push the roll down firmly until it clicks into place.



7. Push the fuser unit into the printer until it clicks.





---

## Clearing Jammed Paper

If jammed paper is torn and remains in the printer, or if paper is jammed in a place not mentioned in this chapter, contact your dealer.

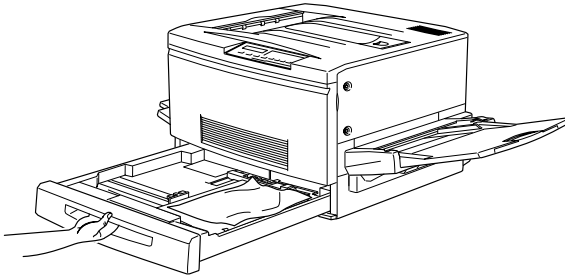


### **Warning:**

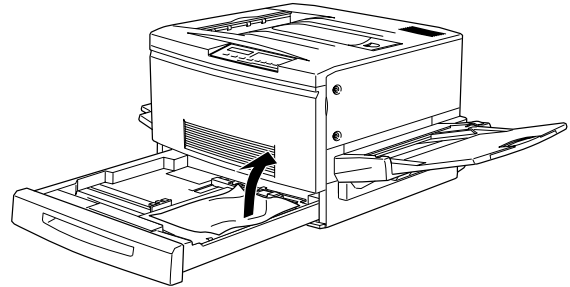
*Be careful not to touch the fuser, which is marked CAUTION! HIGH TEMPERATURE, or the surrounding areas. If the printer has been in use, the fuser and the surrounding areas may be very hot.*

## Clearing the paper cassette

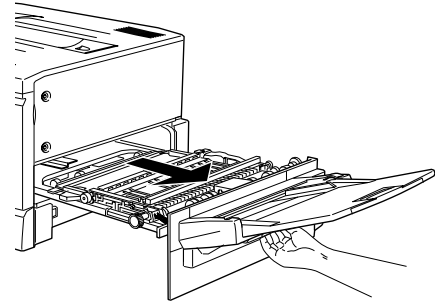
1. Pull the paper cassette out slowly until it stops. Be careful not to tear the jammed paper.



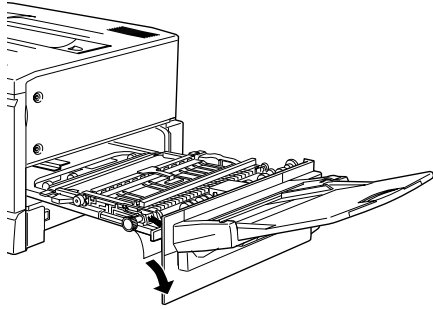
2. Remove the jammed or crumpled paper. If the paper is torn, be sure to remove all pieces.



3. Replace the paper in the paper cassette and close it.
4. Pull the paper path unit slowly until it stops. Be careful not to tear the jammed paper.



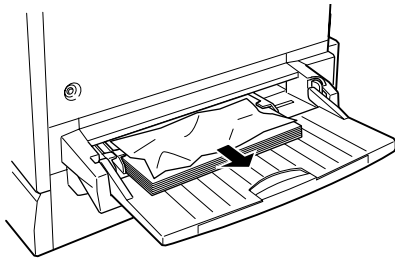
5. Pull out the jammed paper from the bottom of the paper path unit.



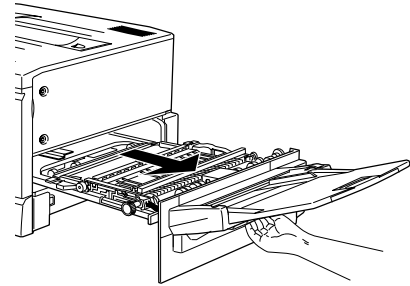
6. Close the paper path unit firmly.

### ***Clearing the MP tray***

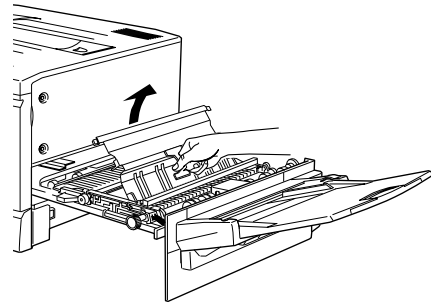
1. Pull the jammed paper out gently.



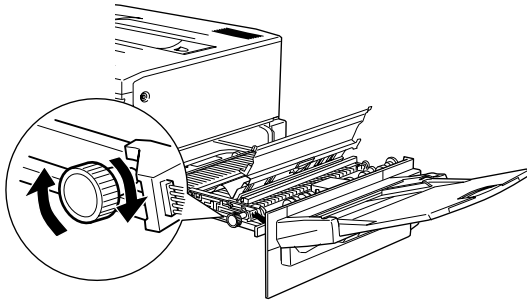
2. Pull the paper path unit out until it stops. Be careful not to tear the jammed paper.



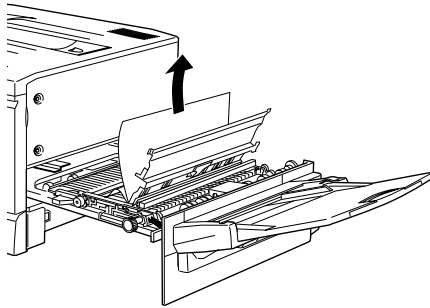
3. Open the unit cover by grasping the handle and pulling up.



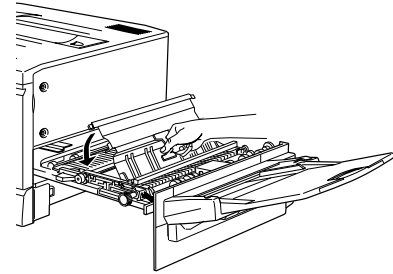
4. Turn the knob on the unit clockwise as shown below. The jammed paper should come out.



5. After the jammed paper is ejected halfway, pull the paper up as shown below.



6. Close the cover of the unit.



7. Close the paper path unit firmly.

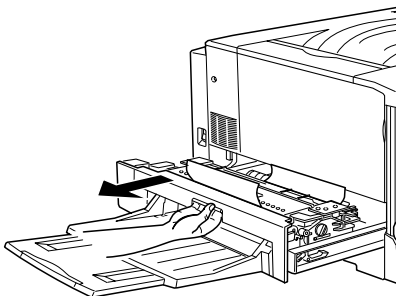
### ***Clearing the fuser unit***



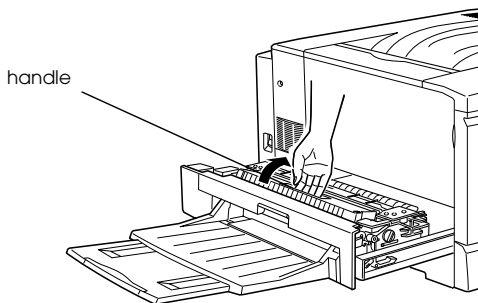
**Caution:**

*When paper is jammed in the path to the Face-up Tray, clear it from the fuser unit. Do not pull jammed paper out from the Face-up Tray.*

1. Pull the fuser unit out gently until it stops. Be careful not to tear the jammed paper.

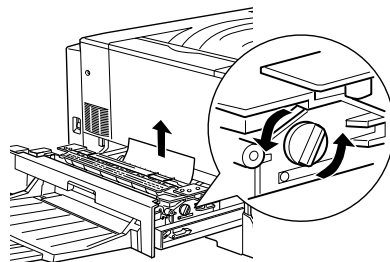


2. Grasp the handle of the fuser oil roll and remove it.

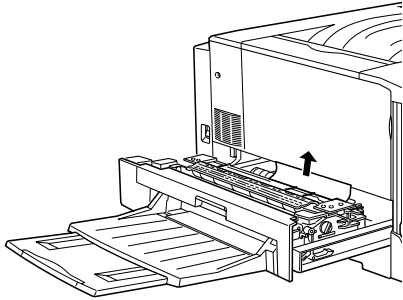


**Caution:**

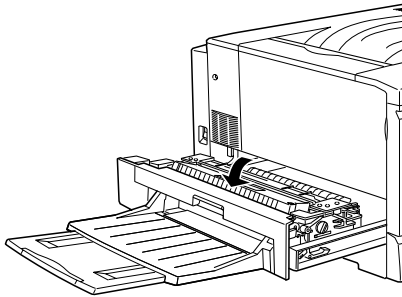
- ❑ Do not touch the fuser, which is marked CAUTION! HIGH TEMPERATURE, or the surrounding areas. If the printer has been in use, the fuser and the surrounding areas may be very hot.
  - ❑ Reattach the fuser oil roll as soon as you clear any jammed paper.
  - ❑ The roll should always be kept horizontal. Do not tilt or lean it against anything. Doing so may cause oil leakage and impair print quality.
3. Turn the knob in the fuser unit to eject the jammed paper as shown below.



4. Pull out the jammed paper.



5. Re-install the fuser oil roll.



6. Close the fuser unit firmly.

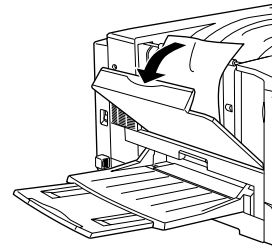
## Clearing the output path cover



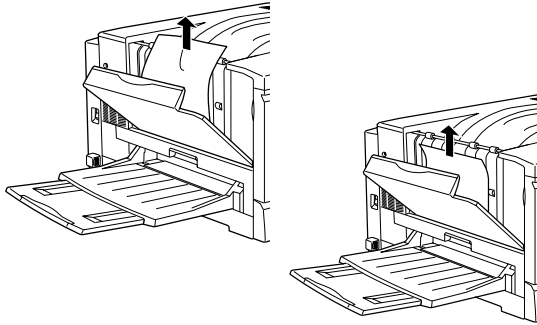
### **Caution:**

*When paper is jammed in the path to the face-down tray, clear it from the path to the fuser unit. Do not pull jammed paper out from the face-down tray.*

1. Open the output path cover on the left side of the printer.



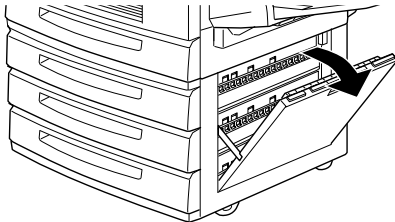
2. Remove all jammed paper. If paper has jammed at the top of the output path, gently lift it out. If it has jammed near the bottom of the output path cover, carefully pull it out of the printer.



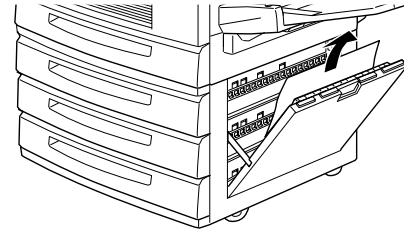
3. Close the output path cover.

### **Clearing optional Large Capacity Paper Unit**

1. Open the feeder cover on the right side of the paper unit.



2. Pull the jammed paper out gently. Be careful not to tear the paper.



3. Close the feeder cover.

**Note:**

*If paper is jammed in the paper cassette mounted in the paper unit.*

## Control Panel Messages

### Status message list

Messages	Description
Form Feed	The printer is feeding paper.
Ready	The printer is ready to print.
Reset	The printer's current interface has been reset and the buffer is cleared.
Reset All	All printer settings have been reset to the user default configuration, the last settings that were saved.
Reset to Save	You should reset the printer to save the current settings.
Self Test	The printer is running a self-diagnostic program.
Standby Level X (X = 1 or 2)	The printer is turned on, but is in the energy-saving mode.
Warming Up	The printer is warming up.
Writing DIMM A	The printer is writing the settings to ROM module A.

### Error message list

Messages	Description
Check OHP Sheet	You have loaded transparencies in the wrong direction or with the wrong face up, or you have loaded a transparency other than EPSON Color Laser Transparencies. The printer stops loading to prevent printer damage. You need to clear any jammed sheets from the MP tray or paper path unit.
Check Paper Size	The paper size setting is different from the size of paper loaded in the printer. Check to see if the correct size of paper is loaded in the tray, then press the Continue button.
Check Paper Type	This error occurs when Paper Type is specified with Paper Source set to Auto and there is no paper feed unit with matching Paper Size and Paper Type settings.

<b>Messages</b>	<b>Description</b>
Collate was disabled	Printing by specifying the number of copies is no longer possible due to lack of memory or free space on the Hard Disk Drive. If this error occurs, print only one copy and end printing.
Exit Cover Open	The output path cover is open. Close it.
Jam xxxxxxxxxxxxxxxx	The location, one of Feed, Fuser or Exit, where the paper jam occurred is displayed at xxxxxxxxxxxxxxxx. If a paper jam occurs at two or more locations simultaneously, the corresponding multiple locations are displayed.  Exit: Paper is jammed at an output area such as the Face-up Tray.  Feed: Paper is jammed at a loading entrance area such as the paper cassette or MP tray.  Fuser: Paper is jammed at the fuser unit.
Feeder Cover Open	The feeder cover of the optional Large Capacity Paper Unit is open. Close it.

<b>Messages</b>	<b>Description</b>
Format Error ROM A/Format Error ROM B	An unformatted ROM has been inserted. If the ROM has been formatted, but is unreadable, format the ROM again. If, after reformatting, the ROM is still unreadable, take it to your dealer for repair or replacement.  To clear this error, either press the Continue button or turn off the printer and remove the ROM.
Front Cover Open	The front cover is open. Close it.
Fuser Unit Open	The fuser unit is open. Close it.
Illegal AUX I/F Card	This message means that the printer cannot communicate with the installed optional interface card. Turn off the printer and remove the card, then reinstall it.
Invalid ROM A/ Invalid ROM B	The printer cannot read the installed optional ROM. Turn off the printer and remove the ROM.



Messages	Description
Image Optimum	<p>There is insufficient memory to print the page at the specified print quality. The printer automatically lowers the print quality so that it can continue printing. If the printout is not acceptable, try simplifying the page by limiting the number of graphics or reducing the number and sizes of fonts.</p> <p>Turn off the printer then resend the print data.</p> <p>Turn the Image Optimum setting off on the SelectType Config menu</p>
Insert Oil Roll	The fuser oil roll is not installed.
Insert Photoconductr	The photoconductor unit is not installed, or is installed incorrectly. Turn off the printer, then install or reinstall the photoconductor unit.
Insert Waste T Box	The waste toner collector is not installed.
Insert XXX XXX: The selected paper source is indicated.	The indicated (XXX) paper source is open. Close it.

Messages	Description
Invalid HDD	A fatal error occurred on the Hard Disk Drive. Replace with a normal Hard Disk Drive.
Invalid PS3	A PostScript 3 ROM module that cannot be used on this printer is installed.
Irregular Density	You have tried to print at an overly high density. The printer stops loading paper to prevent printer damage. You must clear jammed paper from the MP tray or paper path unit.
Maintenance Req XXXX XXXX: Any number is indicated.	Some part inside the printer should be replaced. Contact your dealer and inform them of the number (XXXX) that appears.
Manual Feed XXX YYYY XXX: The selected paper source is indicated. YYYY: The selected paper size is indicated.	The printer is waiting for media to be inserted manually.

Messages	Description
Mem Overflow	The printer has insufficient memory to execute the current task. To correct the error, press the Continue button on the control panel. If the message remains, reset the printer. You can also clear this message by turning the printer off, waiting 10 seconds, and then turning it back on.
Menus Locked	This message appears if you try to change a printer setting when the buttons have been locked.
Need Memory	The printer has insufficient memory to execute the current task. Expand printer memory.
Oil Roll Near Empty	There is very little oil remaining in the fuser oil roll. Early replacement with new fuser oil roll is recommended.
Outbin Select Error	Printouts are output not to the specified Outbin but to another bin due to a printing restriction.

Messages	Description
Paper Out XXX YYYY XXX: The selected paper source is indicated. YYYY: The selected paper size is indicated.	There is no paper in the specified paper source (XXX). Load paper of the indicated size (YYYY) into the source.
Paper Set XXX YYYY XXX: The selected paper source is indicated. YYYY: The selected paper size is indicated.	The paper loaded in the specified paper source (XXX) does not match the required paper size (YYYY). Replace the loaded paper with the correct size and press Continue.  If you press Continue without replacing the paper, the printer will print on the loaded paper even though it does not match the required size.
Paper Unit Open	The paper path unit is open. Close it.
Photoconductor Trouble	The installed photoconductor unit has a problem. Turn off the printer, then remove the photoconductor unit and install the new photoconductor unit.

<b>Messages</b>	<b>Description</b>
Print Overrun	<p>The required time to process the print data exceeds the print engine speed because the current page is too complex. Press the Continue button to resume printing. If this message appears again, turn on Page Protect in the SelecType Config menu.</p> <p>If you continue to receive this message when printing a particular page, try simplifying the page by limiting the number of graphics or reducing the number and size of fonts.</p>
PS3 Hard Disk full	Writing to Hard Disk Drive is no longer possible as the amount of space available on Hard Disk Drive for PostScript3 is full.
Replace Oil Roll	No oil is left in the fuser oil roll. Replace it with a new fuser oil roll.
Replace Photoconductr	The photoconductor unit has reached the end of its service life. Turn off the printer, then remove the photoconductor unit and install the new photoconductor unit.

<b>Messages</b>	<b>Description</b>
Replace Waste T Box	The waste toner collector has become full. Replace it with a new waste toner collector.
Service req eXXXX XXXX: Any number is indicated.	A controller error or a print engine error has been detected. Write down the error number listed on the display and turn off the printer. Wait at least 10 seconds and then turn it back on. If this error still occurs, turn off the printer, unplug the power cord, and contact a qualified service person.
Time Exceed	Paper was forcibly output ("blank sheet printing") as the print data did not arrive in time even though the paper was pre-fed.
Turn Paper XXX: The selected paper source is indicated.	Paper is loaded incorrectly (you cannot load paper short-edge first). Turn the paper 90 degrees and load it (you need to load long-edge first.)

<b>Messages</b>	<b>Description</b>
Warning Photoconductr	The photoconductor unit is near the end of its service life. You can continue to print until there is no remaining service life but early replacement is recommended to maintain high print quality.
Waste T Box Nearfull	The waste toner collector is nearly full of toner. Early replacement with the new waste toner collector is recommended.
Write Error ROM A/Write Error P	This message indicates an internal error in the printer. Reset the printer. If this error persists, consult your EPSON dealer.
Wrong Photoconductor	You have installed a photoconductor unit that has not been designed for this printer. Turn off the printer, then remove the incorrect photoconductor unit and install one designed for this printer (S051061).

<b>Messages</b>	<b>Description</b>
XXXX Toner Crtg Out XXXX: Letter(s) of Y, M, C, and/or K is indicated.	The indicated (XXXX) toner cartridge is not installed in the printer. Install the proper toner cartridge.
XXXX Toner Low XXXX: Letter(s) of Y, M, C, and/or K is indicated.	The amount of remaining toner in the indicated (XXXX) toner cartridge(s) is very small. Early replacement with the new toner cartridge is recommended.
XXXX Toner Out XXXX: Letter(s) of Y, M, C, and/or K is indicated.	No toner is in the indicated (XXXX) toner cartridge(s). Replace it with the new toner cartridge.